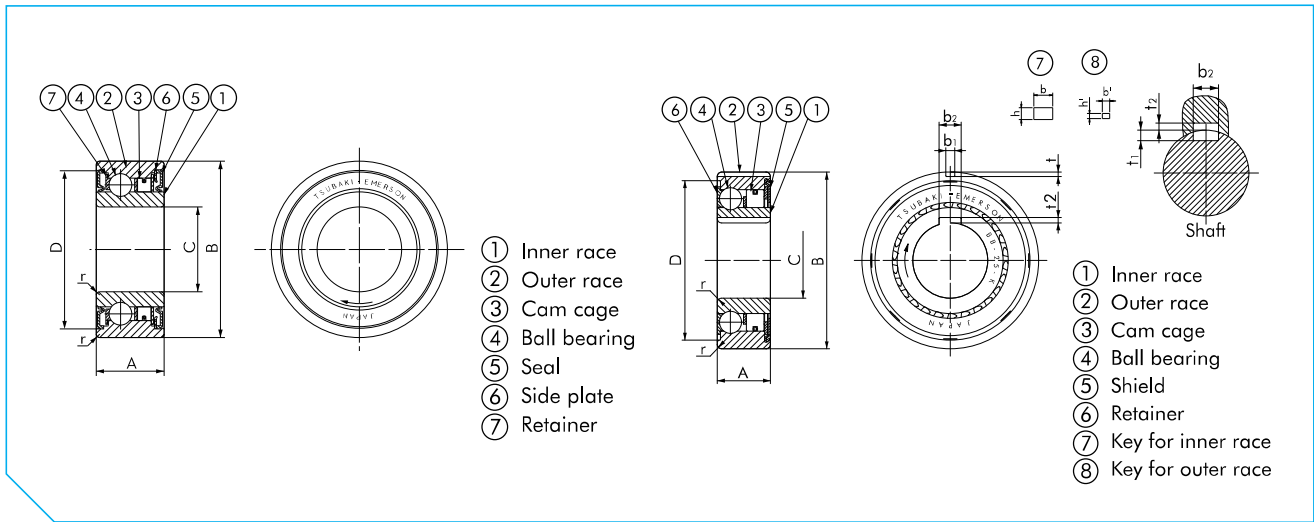


BB SERIES CAM CLUTCH



BB, BB-1K-K, BB-2K-K, BB-2GD, BB-2GD 1K-K

Dimensions in mm

Model	Torque Capacity Nm	Max. Overrunning Speed		Drag Torque Nm		A		B	C	D		Bearing Loads		Approx. Mass g/pc		
		Inner Race r/min	Outer Race r/min	BB	BB-2GD	BB	BB-2GD			BB	BB-2GD	r	C	C _o	BB	BB-2GD
				BB-1K-K	BB-2K-K	BB-1K-K	BB-2K-K						BB-1K-K	BB-2K-K	N	N
BB15	29	3600	2000	0.010	0.040	11	16	35	15	32.6	32.45	0.6	5950	3230	50	70
BB17	43	3500	1900	0.010	0.050	12	17	40	17	36.1	36.45	0.6	7000	3700	80	100
BB20	61	3000	1600	0.014	0.055	14	19	47	20	41.7	42.35	1.0	8500	4900	120	150
BB25	78	2500	1400	0.017	0.055	15	20	52	25	47.1	47.05	1.0	10700	6300	150	200
BB30	140	2000	1100	0.030	0.058	16	21	62	30	56.6	55.60	1.0	11900	7900	230	280
BB35	173	1800	1000	0.034	0.060	17	22	72	35	64.0	64.60	1.1	13500	9700	320	410
BB40	260	1800	900	0.040	0.080	22	27	80	40	71.0	71.60	1.1	14500	11700	400	600

Model	Shaft Diameter	Housing Diameter	Model	Shaft Diameter	Housing Diameter	Model	Shaft Diameter	Housing Diameter
BB15	BB15-2GD 15 +0.023 +0.012	35 -0.012 -0.028	BB15-1K-K	BB15-2GD 1K-K 15 -0.008 -0.028	35 -0.012 -0.028	BB15-2K-K	15 -0.008 -0.028	35 -0.002 -0.018
BB17	BB17-2GD 17 +0.023 +0.012	40 -0.012 -0.028	BB17-1K-K	BB17-2GD 1K-K 17 -0.008 -0.028	40 -0.012 -0.028	BB17-2K-K	17 -0.008 -0.028	40 -0.002 -0.018
BB20	BB20-2GD 20 +0.028 +0.015	47 -0.012 -0.028	BB20-1K-K	BB20-2GD 1K-K 20 -0.010 -0.031	47 -0.012 -0.028	BB20-2K-K	20 -0.010 -0.031	47 -0.003 -0.022
BB25	BB25-2GD 25 +0.028 +0.015	52 -0.014 -0.033	BB25-1K-K	BB25-2GD 1K-K 25 -0.010 -0.031	52 -0.014 -0.033	BB25-2K-K	25 -0.010 -0.031	52 -0.003 -0.022
BB30	BB30-2GD 30 +0.028 +0.015	62 -0.014 -0.033	BB30-1K-K	BB30-2GD 1K-K 30 -0.010 -0.031	62 -0.014 -0.033	BB30-2K-K	30 -0.010 -0.031	62 -0.003 -0.022
BB35	BB35-2GD 35 +0.033 +0.017	72 -0.014 -0.033	BB35-1K-K	BB35-2GD 1K-K 35 -0.012 -0.037	72 -0.014 -0.033	BB35-2K-K	35 -0.012 -0.037	72 -0.006 -0.025
BB40	BB40-2GD 40 +0.033 +0.017	80 -0.014 -0.033	BB40-1K-K	BB40-2GD 1K-K 40 -0.012 -0.037	80 -0.014 -0.033	BB40-2K-K	40 -0.012 -0.037	80 -0.006 -0.025

Model	Keyway					Inner Race Key b x h x length	Outer Race Key b' x h' x length
	b ₂ js10	t ₁	t ₂	b ₁ js9	t		
BB15-1K-K	BB15-2GD 1K-K	5.0	1.9	1.2	-	5 x 3 x 11	-
BB15-2K-K	-	-	-	-	2.0	0.6	2 x 2 x 11
BB17-1K-K	BB17-2GD 1K-K	5.0	1.9	1.2	-	5 x 3 x 12	-
BB17-2K-K	-	-	-	-	2.0	1.0	2 x 2 x 12
BB20-1K-K	BB20-2GD 1K-K	6.0	2.5	1.6	-	6 x 4 x 14	-
BB20-2K-K	-	-	-	-	3.0	1.5	3 x 3 x 14
BB25-1K-K	BB25-2GD 1K-K	8.0	3.6	1.5	-	8 x 5 x 15	-
BB25-2K-K	-	-	-	-	6.0	2.0	6 x 4 x 15
BB30-1K-K	BB30-2GD 1K-K	8.0	3.1	2.0	-	8 x 5 x 16	-
BB30-2K-K	-	-	-	-	6.0	2.0	6 x 4 x 16
BB35-1K-K	BB35-2GD 1K-K	10.0	3.7	2.4	-	10 x 6 x 17	-
BB35-2K-K	-	-	-	-	8.0	2.5	8 x 5 x 17
BB40-1K-K	BB40-2GD 1K-K	12.0	5.0	3.3	-	12 x 8 x 22	-
BB40-2K-K	-	-	-	-	10.0	3.0	10 x 6 x 22

Note:

For BB25-1K-K, BB25-2K-K and BB25-2GD 1K-K the dimension of t₂ is 0.5 mm shallower than DIN 6885.3. To use a DIN standard key, process the keyway 0.5 mm deeper on the shaft than according to DIN standard. All other models are dimensionally interchangeable.